

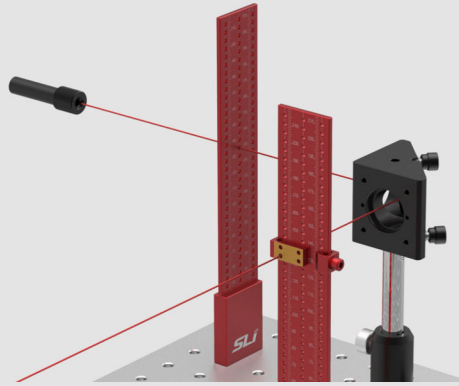


[Wavelength Selector](#) | [Light Source](#) | [Optical Components](#) | [Systems](#)

NEW IR Slider for Light Aligner Now Available!

The IR Slider is a bolt-on option for our Light Aligner (optical ruler) for detection of infrared (IR) beams

[View Details](#)



As you can see, when IR slider comes into the path of IR laser beam it can be visualized as an orange spot.

Light Aligner IR Slider Demonstration Video

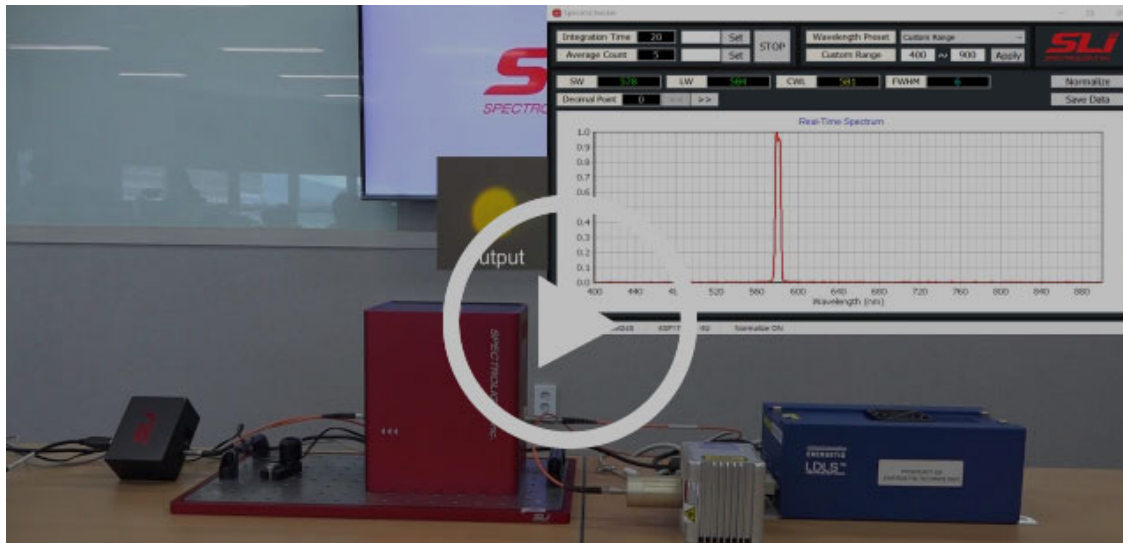
The IR Slider is a bolt-on option for our Light Aligner (optical ruler) for detection of infrared (IR) beams

[View Details](#)

Key Product Advantages :

- Simple tool to check and set beam height

- Magnetic base for fast placement
- Optional bolt-on extension for high or IR beams
- Optional base pins for breadboard hole registration



The center wavelength and bandwidth is set as 581/6 nm and the output is shown in the graph.

Flexible Wavelength Selector Poly Demo Video with Energetiq Laser-Driven Light Source (LDLS™)

Flexible Wavelength Selector (FWS) Poly is a fully-featured wavelength and bandwidth tunable filter with complete software control via a USB link using our [Twinfilm™](#) Technology.

In this demo video, we use Energetiq Laser-Driven Light Source (LDLS™) EQ-99X to test the performance of our FWS Poly. Our FWS is compatible with any type of broadband lamp or supercontinuum sources.

[View Details](#)

FWS-Poly Key Product Advantages :

- Fast software-controlled wavelength tuning
- Center Wavelength adjustable as wide as ~ 500 nm for a single device
- Software bandwidth adjustment (FWHM 3 – 16 nm)
- Circular aperture

- High (10^6) out of band extinction

[See All Products](#)

Wavelength Selector

A truly revolutionary tool for spectroscopy and spectral imaging.

[View Details](#)



Light Sources

Spectrolight offers a growing selection of unique light sources and related accessories

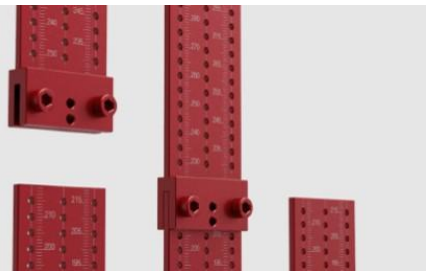
[View Details](#)



Optical Components

Spectrolight provides a growing range of optomechanical components

[View Details](#)



Systems

Spectrolight provides a growing range of innovative systems and related accessories

[View Details](#)



For Sales and Marketing Inquiries

sales@spectrolightinc.com
949-800-7780

For Applications and Technical
Inquiries

Jun Hee Kang, Ph. D.
Application Scientist

Email: jkang@spectrolightinc.com
Mobile: 949-800-5117



Copyright © 2018 Spectrolight Inc., All rights reserved.

Our mailing address is:
info@spectrolightinc.com

Want to change how you receive these emails?
You can [update your preferences](#) or [unsubscribe from this list](#).